

1

2

3

4

A

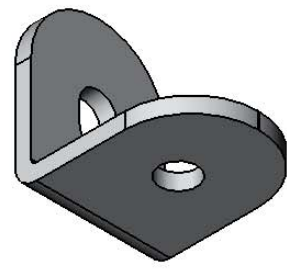
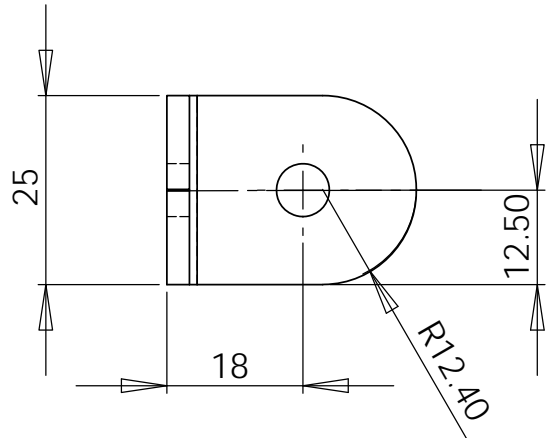
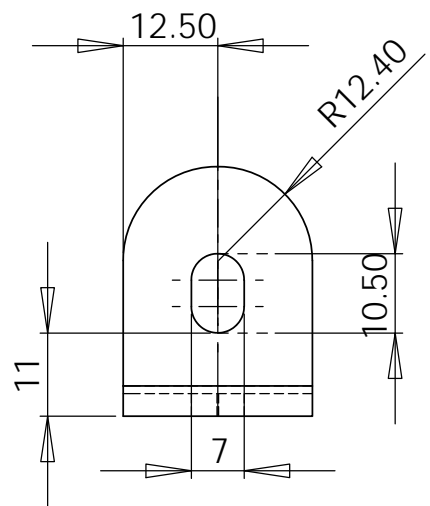
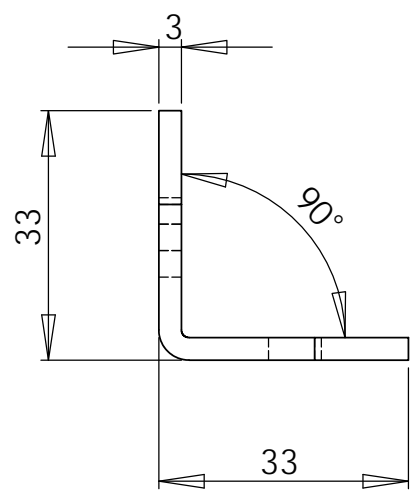
B

C

D

E

F



UNLESS OTHERWISE SPECIFIED:
 DIMENSIONS ARE IN MILLIMETERS
 HOLES ARE 7mm UNLESS STATED OTHERWISE!

FINISH: DEBUR AND BREAK SHARP EDGES
 ALLOY: 25 x 3 flat ALU HE9TB

TITLE:
D174 - base bracket

A4

Property of "The Greenhouse People Ltd" © 2011

ROBINSONS RANGE

NOT SCALE DRAWING

REVISION

DATE 29/07/11